

TECHNICAL INFORMATION SHEET

Vernay Poppets



- Vernay precision molded elastomer-to-insert bonding enhances the functional integrity of your application.
- Insert bonding ensures cohesive surface-to-surface bonding (chemically and/or mechanically).
- Our resilient elastomer tips reduce noise, resist impact, provide tighter tolerances and facilitate positive sealing, even when foreign particles are present.
- Elastomer tip can be molded on one end or both ends.
- Elastomer tip can be precision ground for exact dimension control.
- Poppets are an excellent choice for precise pressure relief applications.

This is provided for general information purposes only. It is accurate and correct to the best of Vernay's belief; however, Vernay **disclaims any warranties, expressed or implied**, as to this information and assumes no obligation or liability therefore. Much of this information is proprietary to Vernay and by providing this information Vernay does not waive or release any patent, copyright or other proprietary right it may own in this information.

©Vernay Laboratories, Inc.
5-12-03 All rights reserved.
SID



*...committed to
innovation.*

Typical Applications Are:

Automotive

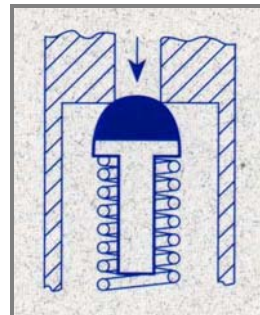
Fuel Systems
Vapor Recovery
Comfort Control Systems
ABS, ATC
Suspension Systems
Pressure Regulators
Cruise Controls
Automatic Transmissions
Emission Control Systems

Appliance

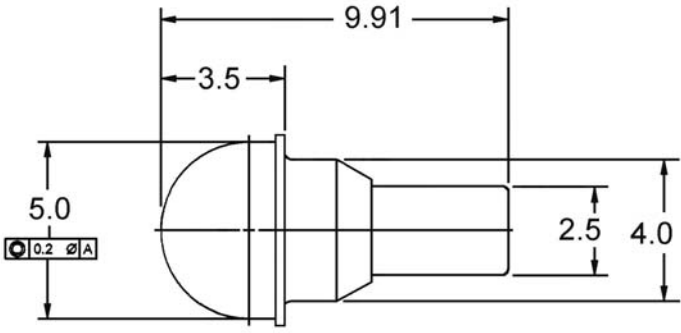
Automatic Ice Makers
Automatic Washing Machines
Water Softeners
Vending Machines

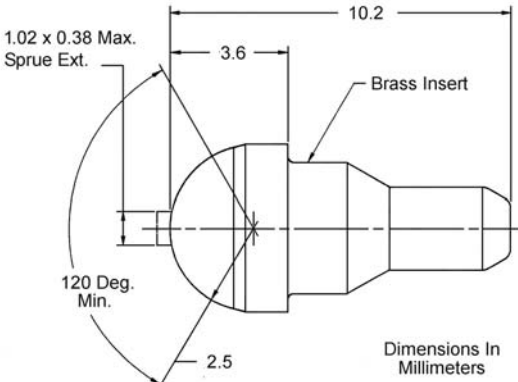
Specialty

Irrigation
Metering Valves
Refrigeration Couplings
Impact Printers
Severe Environment
Instruments
Computer Drives



Vernay Poppets are Available in the Following Standard Part Numbers:

Length	Part Number	Material		Insert
10.15mm	VL1150-107	VL1502M111	Fluorocarbon	None
 <p style="text-align: center;">Dimensions In Millimeters</p>				

Length	Part Number	Material	Insert
10.16mm	VL2392-104	VL1502M277	Fluorocarbon Brass
 <p style="text-align: center;">Dimensions In Millimeters</p>			

Other Examples of Some of Our Custom Products:



Vernay Poppets



Vernay Laboratories, Inc.
Corporate Headquarters
120 E. South College Street
Yellow Springs, Ohio
45387-1623 USA
Phone: (800) 666-5227
Sales: (866) 837-6291
Fax: (937) 767-7913

Vernay Manufacturing, Inc.
804 Greenbelt Parkway
Griffin, GA 30224 USA
Phone: (770) 228-6291
Fax: (770) 228-4279

Vernay Mfg. – Milledgeville
270 Industrial Park Drive
Milledgeville, GA 31061 USA
Phone: (478) 454-1872
Fax: (478) 451-0840

Vernay Mfg. – Marion
HCG Industrial Center
2406 Highway 76 East
Marion, SC 29571 USA
Phone: (843) 431-9090
Fax: (843) 423-0402

Vernay Europa, B.V.
Kelvinstraat 6, Postbus 45
7570 AA Oldenzaal
The Netherlands
Phone: 31-541-589999
Fax: 31-541-533060

Vernay Italia, s.r.l.
Località Rilate, 21
14100 Asti, Italy
Phone: 39-0141-413511
Fax: 39-0141-214111

Vernay Southeast Asia
Sales Representation
Contact Corporate Office

Vernay Israel, LTD
Industrial Park Rotem
Misor Yamin
N.P.S. Arava 86800
Israel
Phone: 972-8-657-9435
Fax: 972-8-657-9436

Vernay Laboratories, Inc.
Japan Branch
Chai Building, 1st Floor,
1006, 1-Chome,
Hirabari, Tenpaku-ku,
Nagoya, Aichi 468-0011
Japan
Phone: 81-52-805-1201
Fax: 81-52-805-1911

Vernay Brasil – Sales Office
Calçadas das Paineiras, 22 sala 04
Centro Comercial Alphaville
Barueri São Paulo Brasil
CEP 06453-000
Phone: 5511-4191-0583
Fax: 5511-4191-9283